



**DIVETEC**  
BY OCTO DIVER

# SCUBA TECHNICIAN COURSE



**PADI**  
padi.com

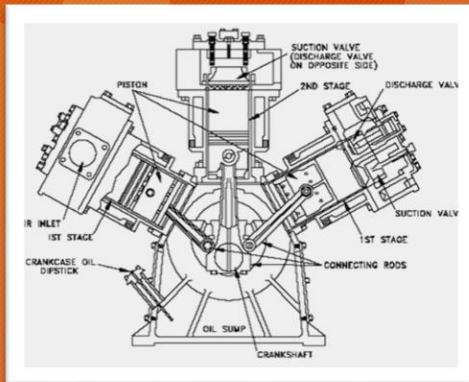
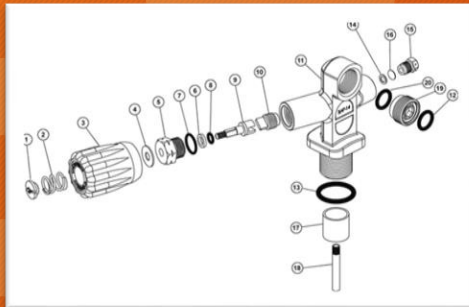
DiveTec by OctoDiver



**DIVETEC**  
BY OCTO DIVER

# THE COURSE

BE A CERTIFIED SCUBA TECHNICIAN



This course equips you with the technical expertise needed to excel in scuba equipment servicing and maintenance.

The Scuba Technician Course offers comprehensive hands-on training, covering:

1. Expert servicing of all types of regulators, including piston, diaphragm, balanced, unbalanced, seated valve, and pilot valve systems.
2. Professional BCD maintenance and troubleshooting.
3. Certification in visual inspection procedures for scuba tanks to ensure safety and compliance. Certified VIP Inspector
4. Mastering tank valve servicing techniques.
5. In-depth understanding of air-breathing compressor systems, including maintenance and operational efficiency.
6. Full access to an extensive technical database for parts, diagrams, and reference materials to enhance your skills.





**DIVETEC**  
BY OCTO DIVER

# BE A CERTIFIED SCUBA TECHNICIAN



The PADI Scuba Technician Course goes beyond the basics of dive equipment maintenance to offer an in-depth understanding of the technology and engineering behind scuba systems. Participants will learn how to disassemble, inspect, service, and reassemble key components such as regulators, valves, cylinder and compressors while adhering to industry standards and manufacturer guidelines.

The course emphasizes the importance of precision and attention to detail, as well as the use of specialized tools and techniques to ensure all equipment is restored to peak performance. Safety protocols, proper documentation, and quality assurance are also covered, highlighting the critical role technicians play in supporting safe diving practices.





**DIVETEC**  
BY OCTO DIVER

# WHO?

# DURATION LOCATION

This course is ideal for dive center staff, instructors, and anyone passionate about the technical side of diving who wishes to expand their skill set. By becoming a Certified Scuba Technician, participants can offer value-added services to their clients, improve equipment turnaround times, and build stronger relationships within the diving community. The training not only enhances career opportunities in the dive industry but also fosters a deeper appreciation for the intricate systems that make underwater exploration possible. Whether you aim to start your own service business or work with a dive shop, this course provides the technical expertise to succeed.

7 (Seven) Days to Complete all the 9 (Nine) Modules

DiveTec Classroom in Kuala Terengganu Malaysia OR-

You can host us at your Dive Centre







**DIVETEC**  
BY OCTO DIVER

# THE ITINERARY - DAY 1~3

## SCUBA TECHNICIAN COURSE



### Scuba Technician Course Daily Schedule Overview.

#### Morning Session:

9:00 AM – 12:30 PM.

Includes a **15-minute tea break** at 10:30 AM.

#### Lunch Break:

12:30 PM – 1:30 PM.

#### Afternoon Practical Session:

1:30 PM – 5:00 PM.

Includes a **15-minute tea break** at 3:30 PM.

### Day 1:

#### Introduction to Scuba Equipment.

##### Morning Session (Theory)

#### 9:00 AM – 10:30 AM:

Overview of scuba systems: cylinders, regulators, BCDs, dive computers, and accessories.

#### 10:30 AM – 10:45 AM:

Tea break.  
10:45 AM – 12:30 PM: Safety standards, regulatory guidelines, and technician roles.

#### Lunch Break: 12:30 PM – 1:30 PM

##### Afternoon Session (Practical)

#### 1:30 PM – 3:30 PM:

Introduction to basic inspection tools and safety protocols.

#### 3:30 PM – 3:45 PM:

Tea break.

3:45 PM – 5:00 PM: Equipment familiarization and handling techniques. Assembly and disassembly of basic scuba gear.

### Day 2:

#### Tank Visual Inspection

##### Morning Session (Theory)

#### 9:00 AM – 10:30 AM:

Cylinder materials, construction, and markings. Recognizing defects: corrosion, dents, cracks, and stress marks.

#### 10:30 AM – 10:45 AM:

Tea Break.  
10:45 AM – 12:30 PM : Overview of hydrostatic testing and visual inspection procedures.

#### Lunch Break: 12:30 PM – 1:30 PM

##### Afternoon Session (Practical)

#### 1:30 PM – 3:30 PM:

Hands-on visual inspections using mirrors, lights, and borescopes. Identifying and documenting cylinder defects.

#### 3:30 PM – 3:45 PM:

Tea break.  
3:45 PM – 5:00 PM: Tagging and certifying inspected cylinders.

### Day 3:

#### Air Breathing Compressor

##### Morning Session (Theory)

#### 9:00 AM – 12:30 PM:

Basics of compressor operation and types of compressors. Air purity standards and filter systems. Common compressor issues and troubleshooting strategies.

#### 10:30 AM – 10:45 AM:

Tea break.  
Lunch Break: 12:30 PM – 1:30 PM

##### Afternoon Session (Practical)

1:30 PM – 3:30 PM: Compressor operation, pressure adjustments, and monitoring. Filter replacement and basic maintenance.

#### 3:30 PM – 3:45 PM:

Tea break.  
3:45 PM – 5:00 PM: Diagnosing and repairing common faults.





**DIVETEC**  
BY OCTO DIVER

# THE ITINERARY - DAY 4~7

## SCUBA TECHNICIAN COURSE



### Day 4: Oxygen Cleaning

#### Morning Session (Theory)

##### 9:00 AM – 10:30 AM:

Importance of oxygen cleaning and safety protocols. Cleaning solutions, tools, and procedures.

**10:30 AM – 10:45 AM:** Tea break.

**10:45 AM – 12:30 PM:** Verifying oxygen compatibility of components.

**Lunch Break:** 12:30 PM – 1:30 PM

#### Afternoon Session (Practical)

**1:30 PM – 3:30 PM:** Oxygen cleaning of regulators, valves, and cylinders.

**3:30 PM – 3:45 PM:** Tea break.

**3:45 PM – 5:00 PM:** Use of ultrasonic cleaning baths and compatible cleaning agents. Testing and certifying oxygen-cleaned equipment.

### Day 5: Servicing Scuba Gear

#### Morning Session (Theory)

##### 9:00 AM – 10:30 AM:

Regulator design: first and second stages. Common issues in regulators, BCDs, and dive computers.

**10:30 AM – 10:45 AM:** Tea break.

**10:45 AM – 12:30 PM:** Introduction to parts kits and service tools.

**Lunch Break:** 12:30 PM – 1:30 PM

#### Afternoon Session (Practical)

**1:30 PM – 3:30 PM:** Disassembly and servicing of regulators and valves.

Pressure testing and tuning of serviced regulators.

**3:30 PM – 3:45 PM:** Tea break.

**3:45 PM – 5:00 PM:** Servicing BCD inflators and valves.

### Day 6: Equipment Inspection and Advanced Equipment Servicing

#### Morning Session (Theory)

##### 9:00 AM – 10:30 AM:

Systematic approaches to diagnosing faulty equipment. Writing service reports and customer communication.

**10:30 AM – 10:45 AM:** Tea break.

**10:45 AM – 12:30 PM:** Servicing specialty gear: dive computers, rebreathers, and dry suits. Advanced tools and diagnostic equipment.

**Lunch Break:** 12:30 PM – 1:30 PM

#### Afternoon Session (Practical)

**1:30 PM – 3:30 PM:** Detailed troubleshooting of faulty scuba equipment. Advanced servicing: dive computers and dry suits.

**3:30 PM – 3:45 PM:** Tea break.

**3:45 PM – 5:00 PM:** Performance testing of serviced equipment.

### Day 7: Final Assessment and Certification

#### Morning Session (Theory)

##### 9:00 AM – 10:30 AM:

**Course Review and Q&A.**

Summary of key concepts and troubleshooting tips. Preparation for the final written exam.

**10:30 AM – 10:45 AM:** Tea break.

**10:45 AM – 12:30 PM: Written Exam:** Multiple-choice and scenario-based questions covering all modules.

**Lunch Break:** 12:30 PM – 1:30 PM

#### Afternoon Session (Practical)

##### 1:30 PM – 3:30 PM:

**Practical Exams:**

Visual cylinder inspection. Regulator servicing and testing. Oxygen cleaning demonstration. Compressor maintenance and troubleshooting.

**3:30 PM – 3:45 PM:** Tea break.

**3:45 PM – 5:00 PM: Certification**

**Ceremony:** Feedback, certifications, and course completion materials.





**DIVETEC**  
BY OCTO DIVER

# COURSE PRICE



## Price Stated INCLUDES:

- Full PADI Scuba Technician Course- PADI Scuba Technician Course Manual- PADI eLearning Access- Instructor-Led Training- Practical Equipment Service & Repair Sessions- Use of Specialized Tools and Equipment- PADI Certification upon Completion- Course Materials (worksheets, guides, etc.)- Student Support & Guidance-

Price stated is for per person. Price stated NOT Includes Accommodation, Meals, Any Transportation, Tools, Equipment etc..

**MYR 6499.00 per person\***  
min 2 px to start the class

\*Contact us for Class Schedule in our Classroom in Terengganu Malaysia.

\*\*We can conduct the class at your Dive Centre. Contact us for more Info.



Octo Diver Sdn Bhd (15575575-D)  
Teluk Dalam Beach, Perhentian Island  
Kuala Besut 22300 Terengganu, MY